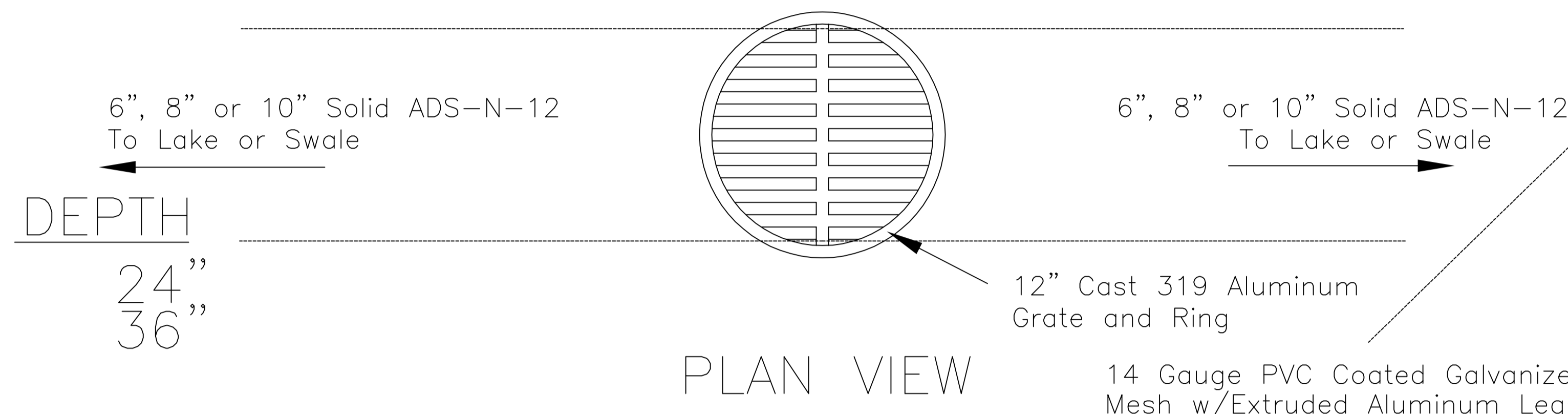


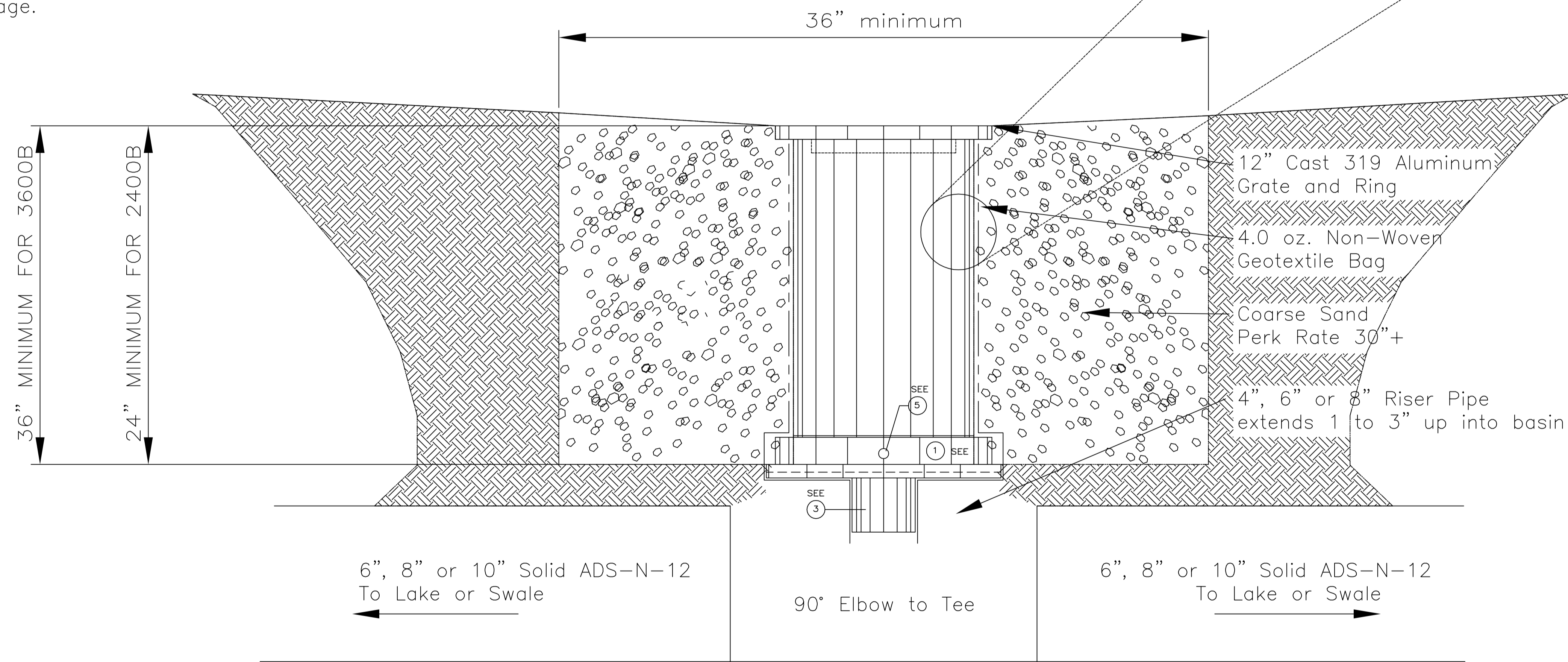
TYPICAL PERMA BASIN DRAIN DETAIL

MODEL	DIAMETER
PB2400B	12"
PB3600B	12"

B-Models are for new construction.
 B-Models include: a bag with opening to set basin on top of risers, a hard bottom to set basin on riser, and special hardware package.



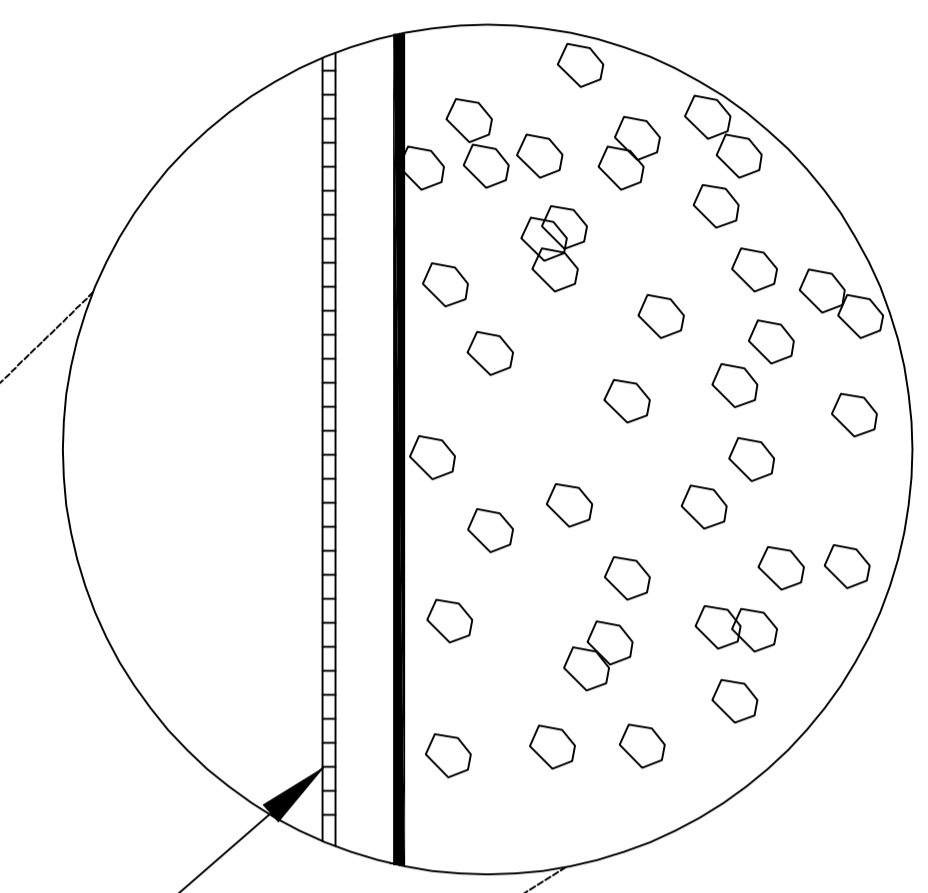
PLAN VIEW



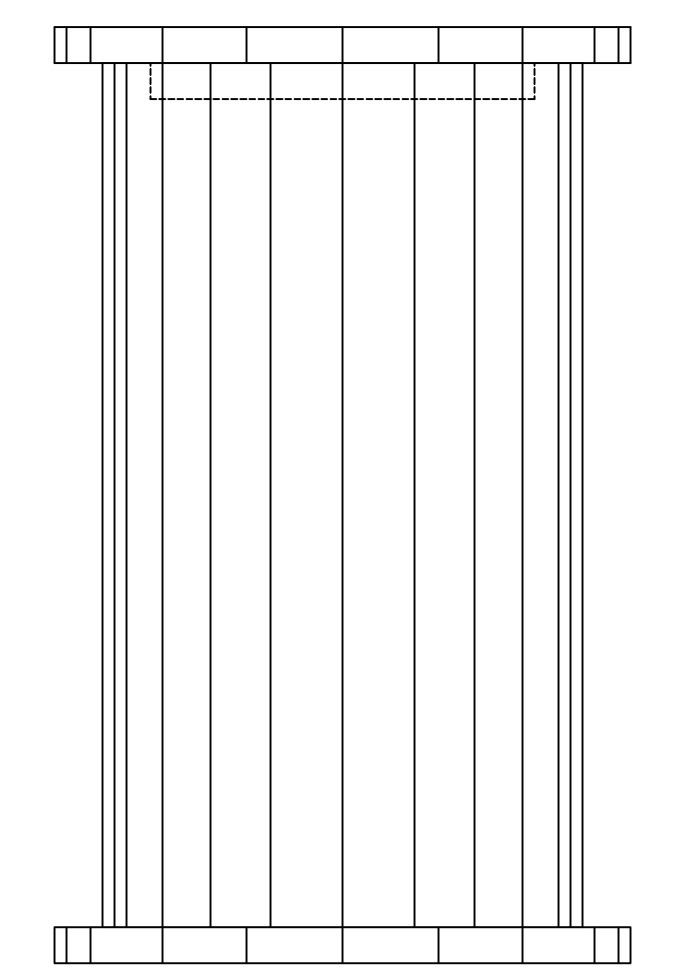
CROSS SECTION
 TURF DRAINAGE CO. OF AMERICA

P.O. Box 702
 Marrero, LA 70072
 1-800-999-2794
 Florida: 813-681-9204

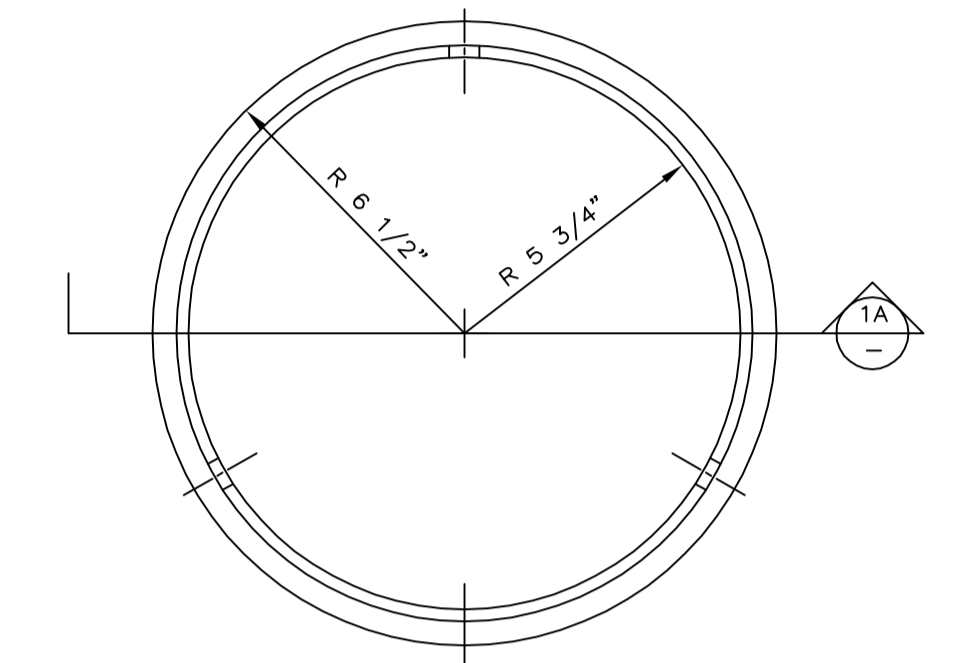
Patent Numbers
 4,919,568
 4,988,235



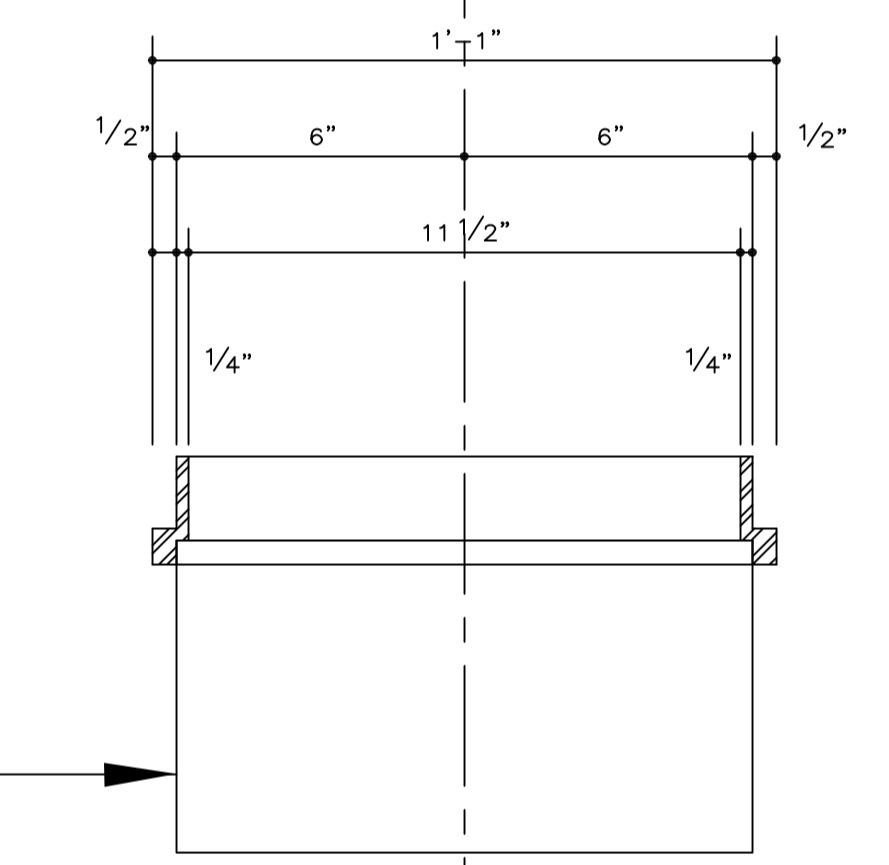
14 Gauge PVC Coated Galvanized Steel Wire Mesh w/Extruded Aluminum Legs and Cast 319 Aluminum Support Rings



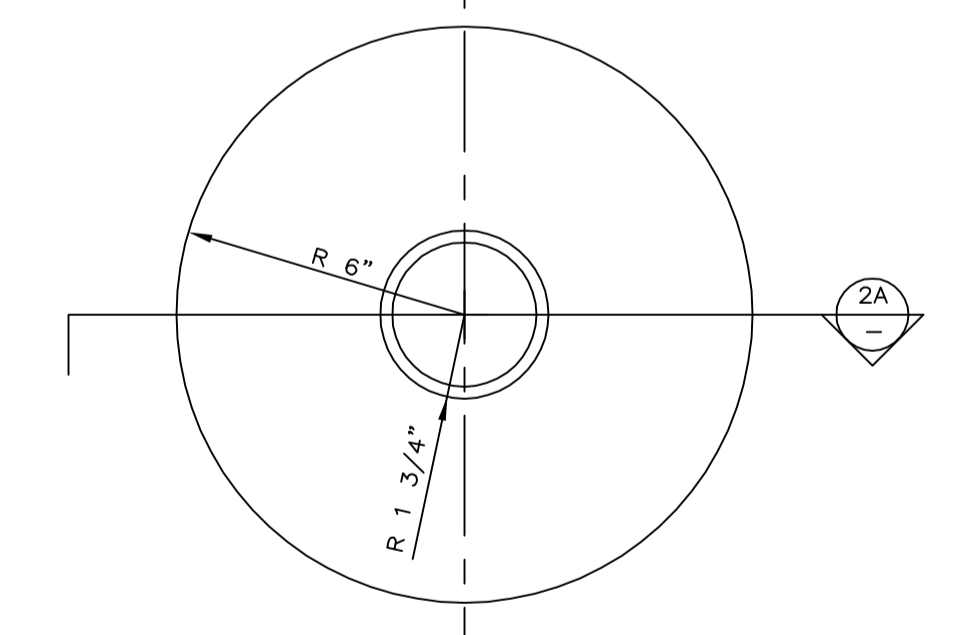
BASIN ELEVATION



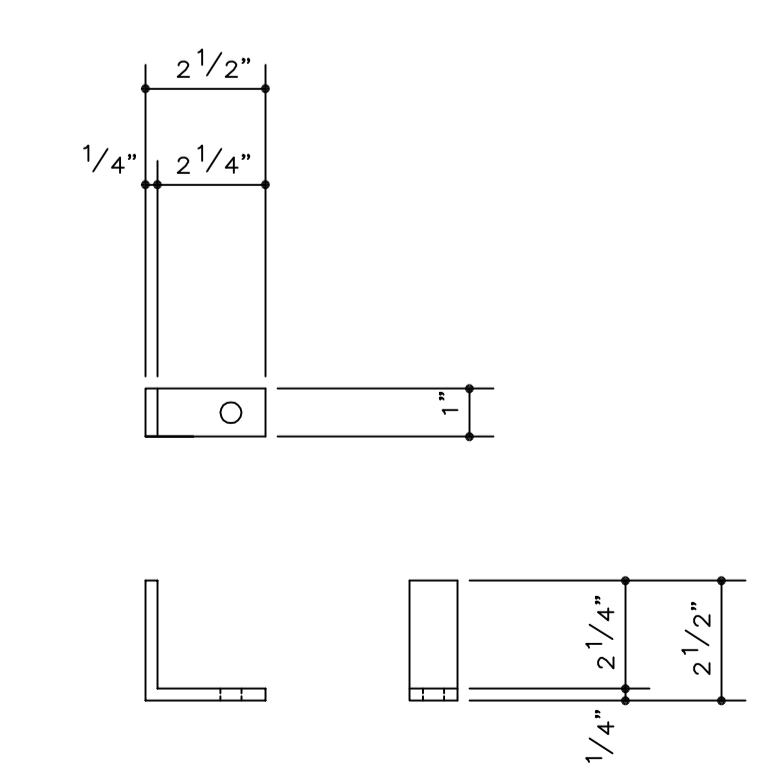
1 FRAME PLAN PART. #1



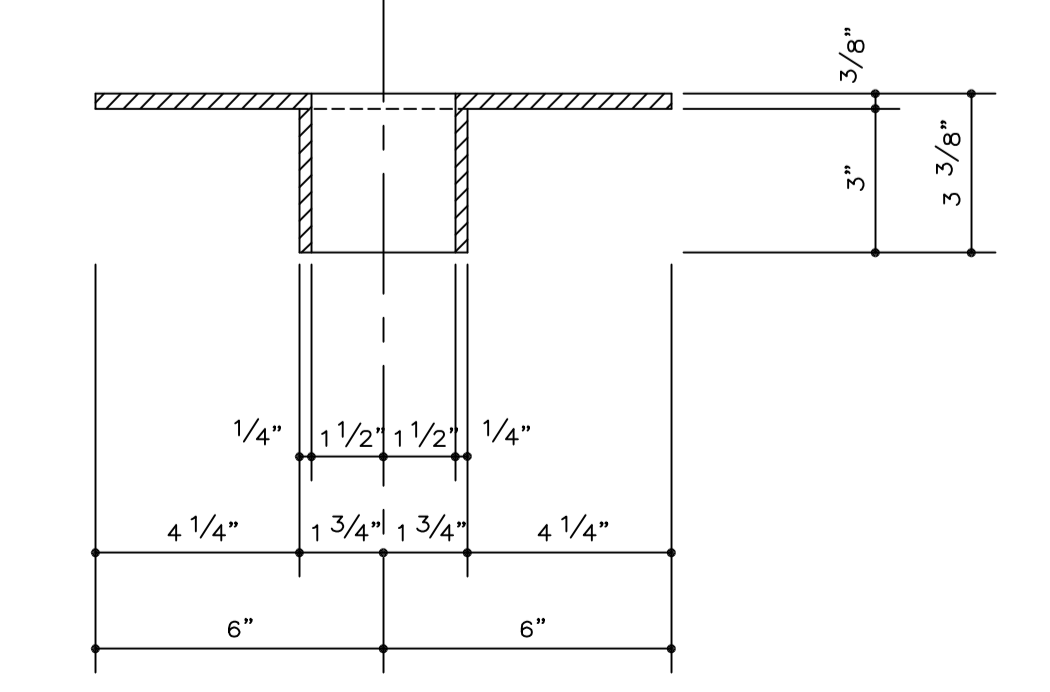
2 FRAME PLAN FOR USE WITH 12" RISER



3 HARD BOTTOM PLAN PART. #2



5 ALUMN. CLIP



4 HARD BOTTOM SECTION FOR USE WITH 4", 6", 8", AND 10" RISERS