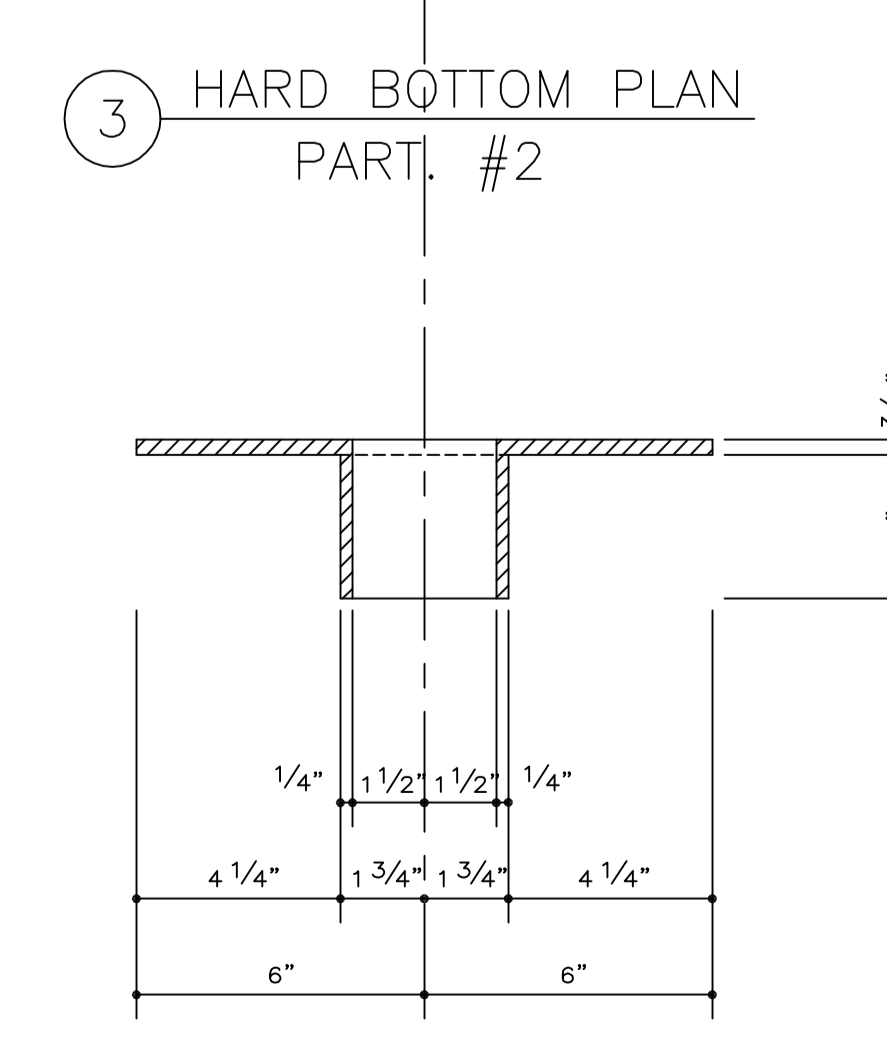
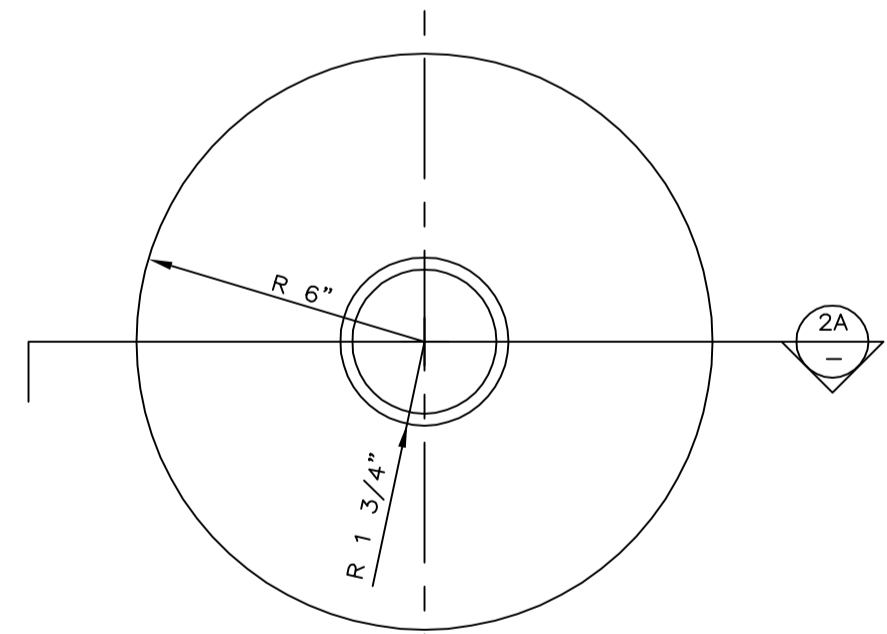
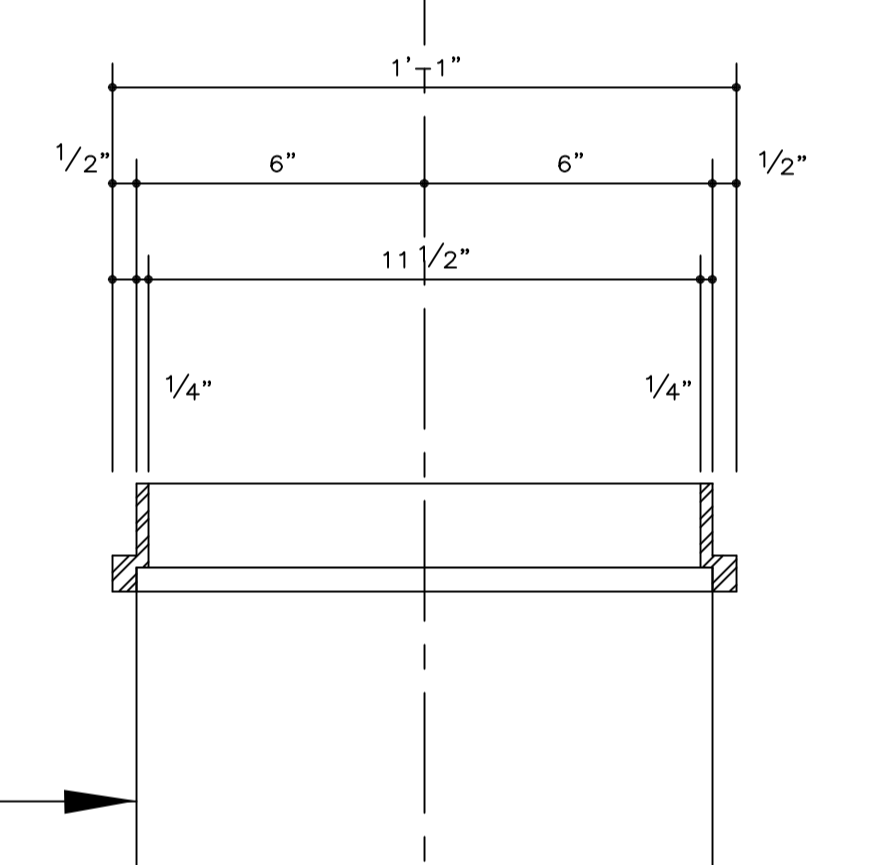
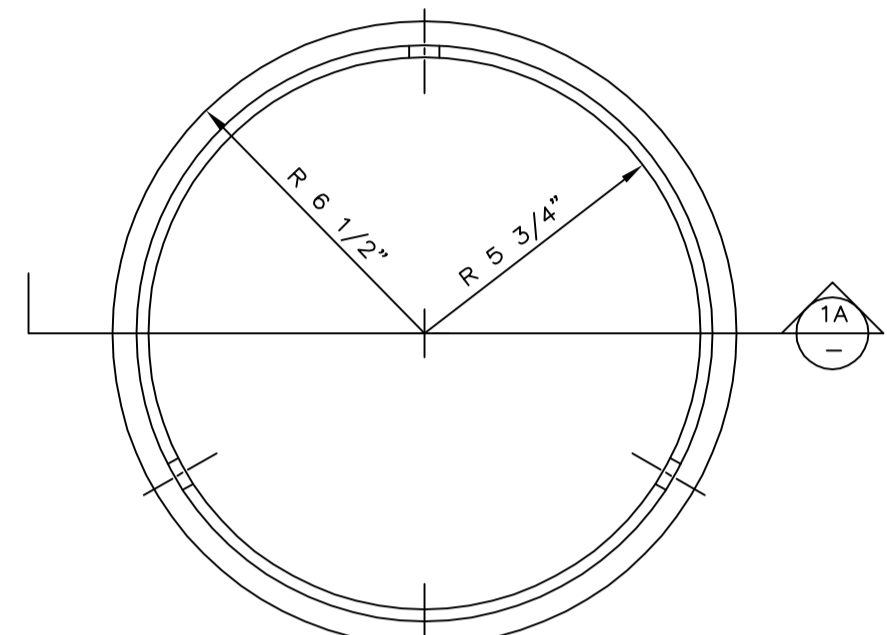
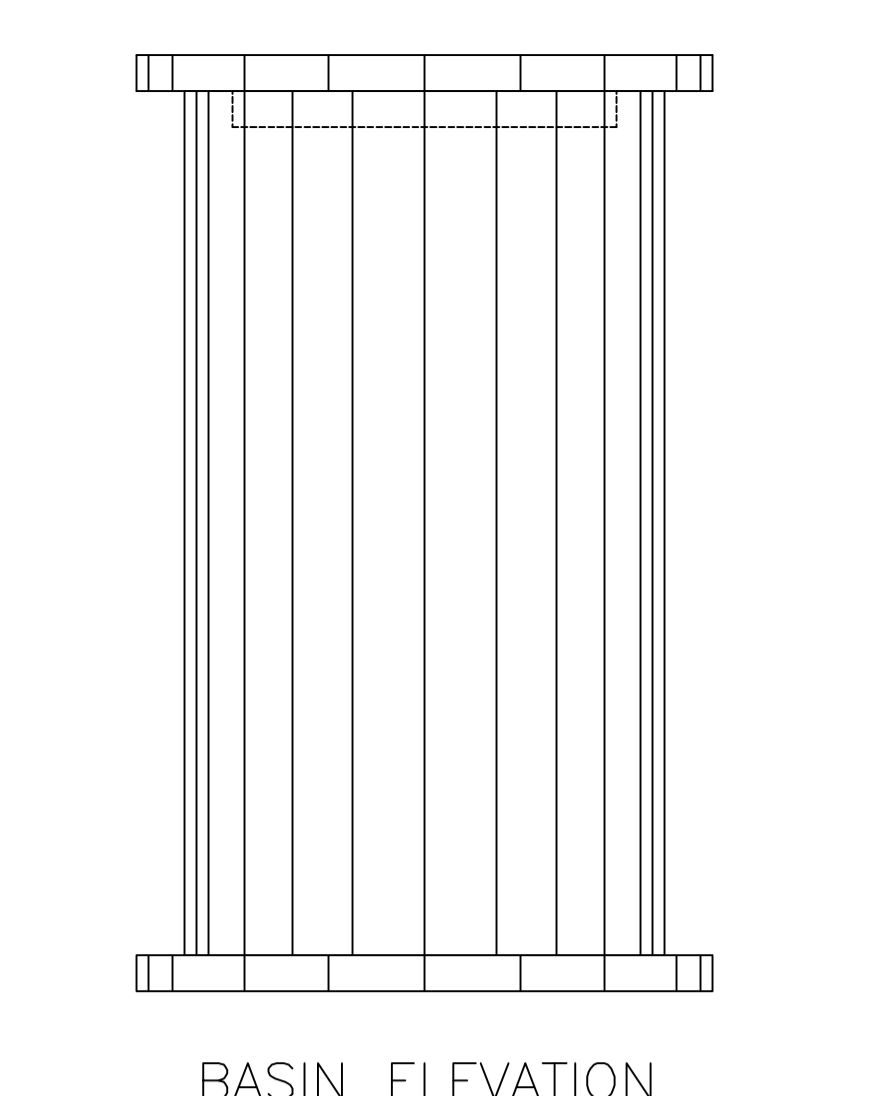
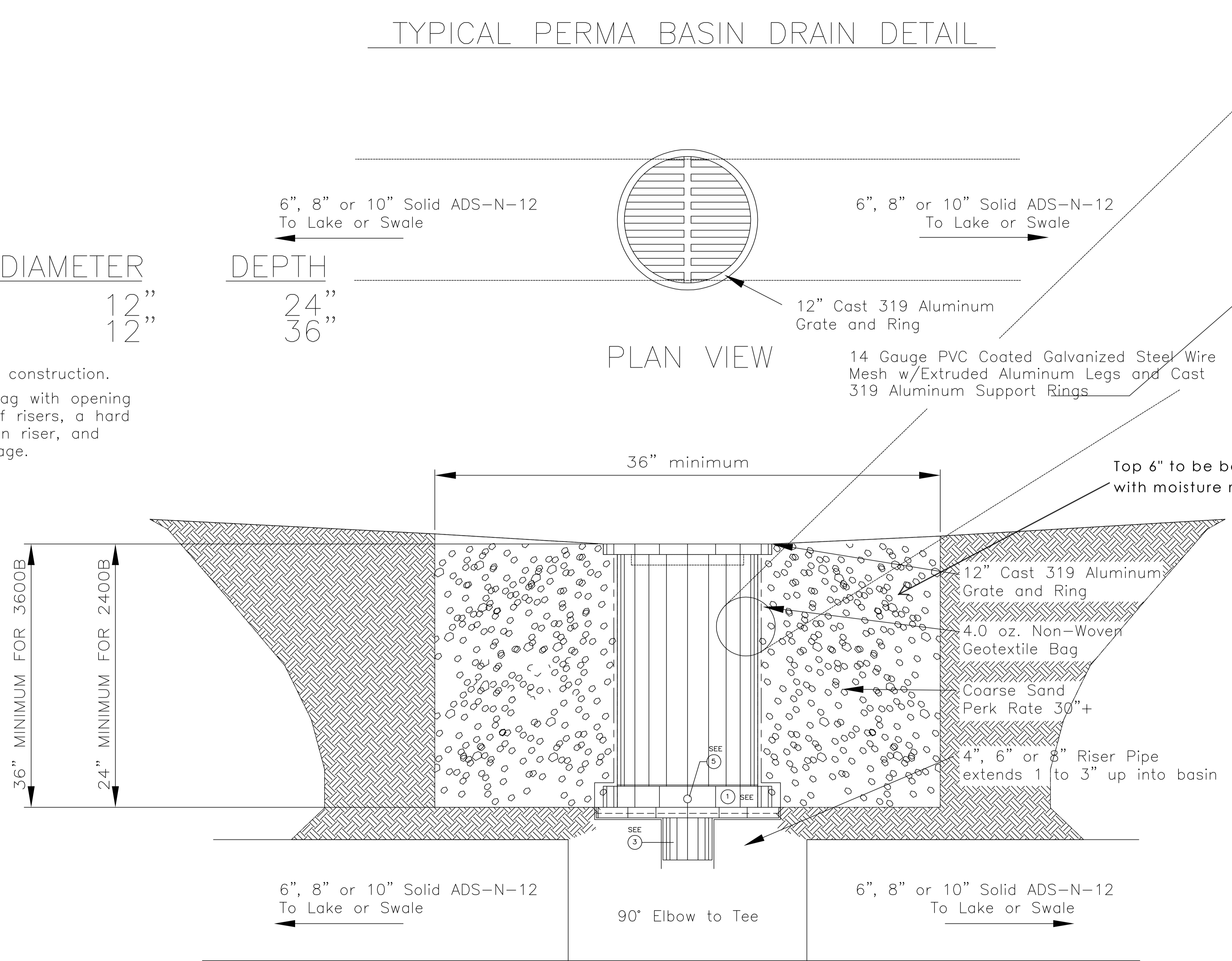


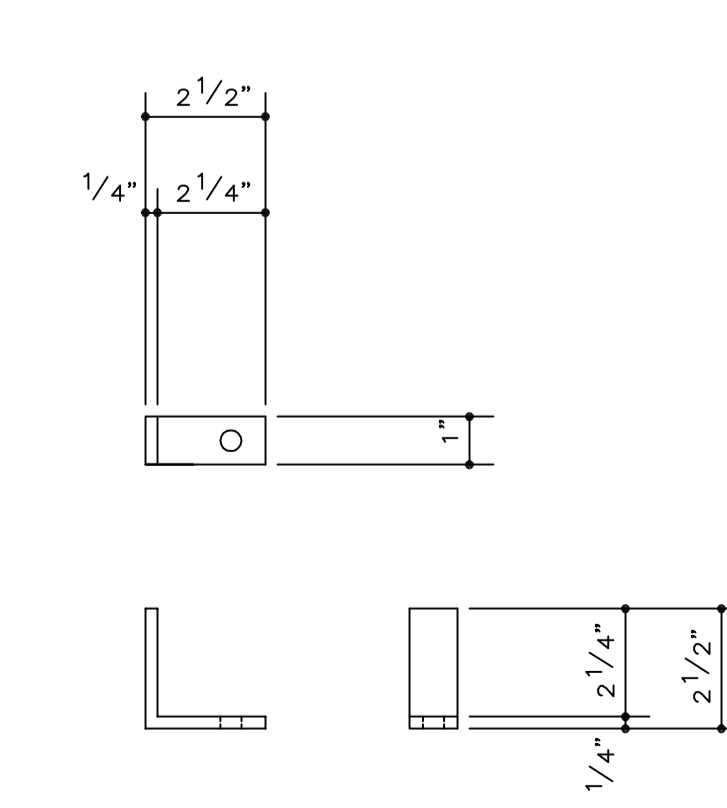
TYPICAL PERMA BASIN DRAIN DETAIL

MODEL	DIAMETER	DEPTH
PB2400B	12"	24"
PB3600B	12"	36"

B-Models are for new construction.
 B-Models include: a bag with opening to set basin on top of risers, a hard bottom to set basin on riser, and special hardware package.



Patent Numbers
 4,919,568
 4,988,235

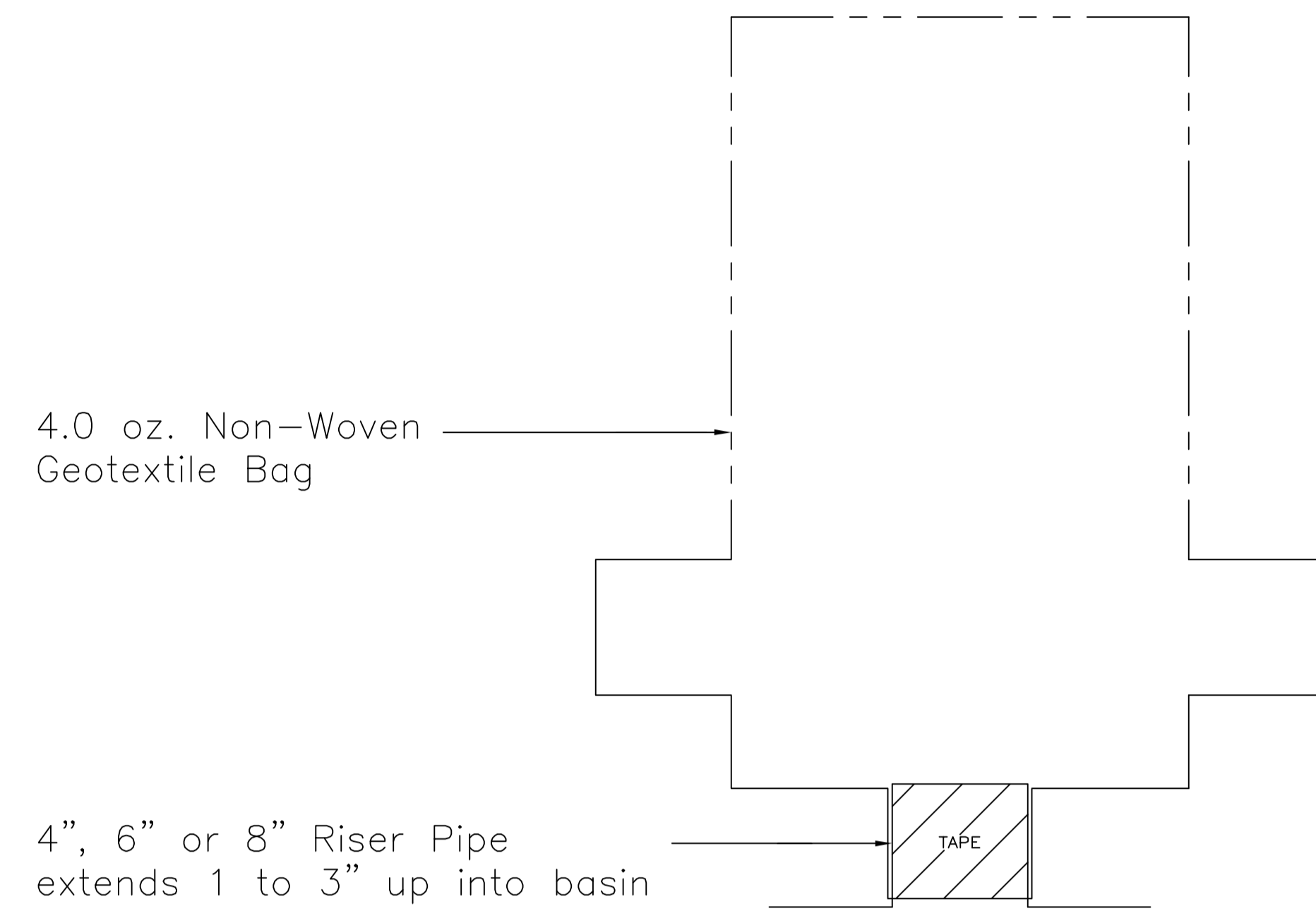


CROSS SECTION
 TURF DRAINAGE CO. OF AMERICA

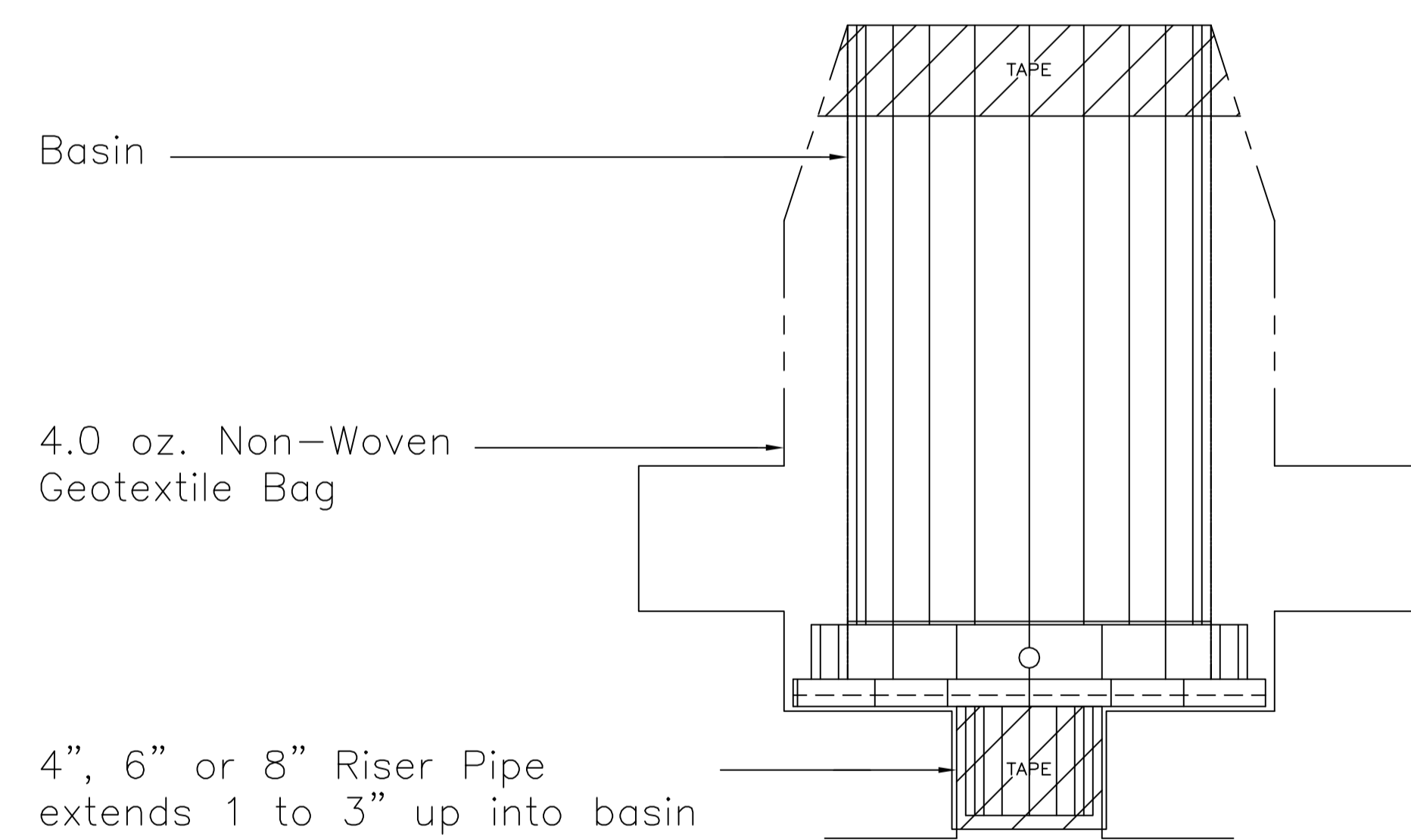
P.O. Box 702
 Marrero, LA 70072
 1-800-999-2794
 Florida: 813-681-9204

INSTALLATION STEPS

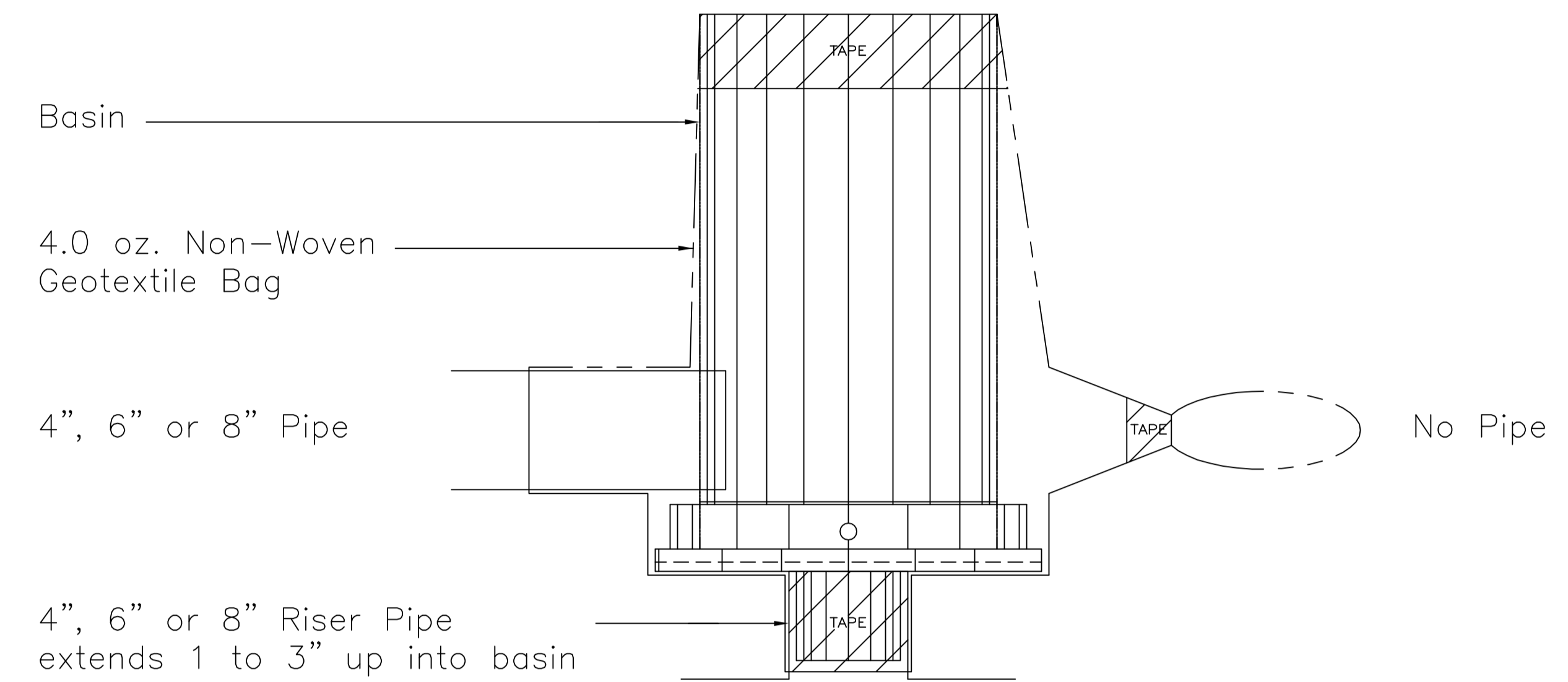
1. Using black PVC drainage tape, secure the bottom sleeve to the outside of the riser.



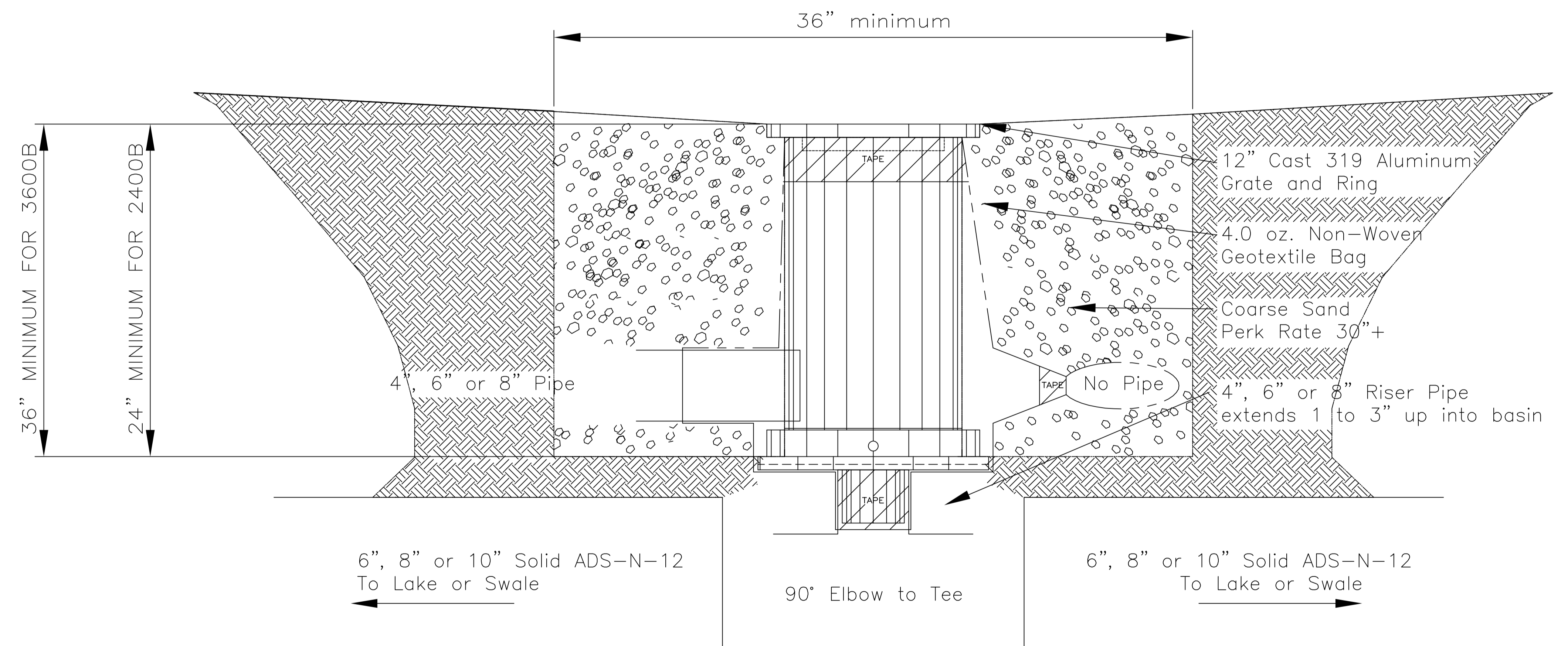
2. Insert the basin into bag so that bottom of plastic hard bottom rests on the riser, and the hard bottom insert is inside of riser pipe.
3. Use a flat head screw driver to drive geotextile bag between wire wall and upper frame.
4. Use black PVC drainage tape to cover any gaps that exist between the bag and the top frame.



5. Any additional piping that is entering this basin should enter through the universal sleeves that are located on the sidewalls. There are two sleeves that can be used to attach 4, 6, or 8" pipe. When using these sleeves, wrap the sleeves around the pipe, and then use wire clippers to cut an opening out of the wire wall. Place the mouth of the pipe through the cylinder of the wall so that water will flow freely into the basin. Secure the sleeve around the pipes with black PVC drainage tape. If there are no pipes entering the basin at the time of installation, the universal sleeves should be wrapped with tape like a ponytail, to be available for future installations.



6. Sod around the basin. If sod work is not done immediately after the installation of the basin, a 15 inch square piece of a geotextile fabric should be placed on the top frame and held in place by the placement of the grate on the frame until the area is sodded and stable.



TURF DRAINAGE CO. OF AMERICA

P.O. Box 702
Marrero, LA 70072
1-800-999-2794
Florida: 813-681-9204

Patent Numbers
4,919.568
4,988.235